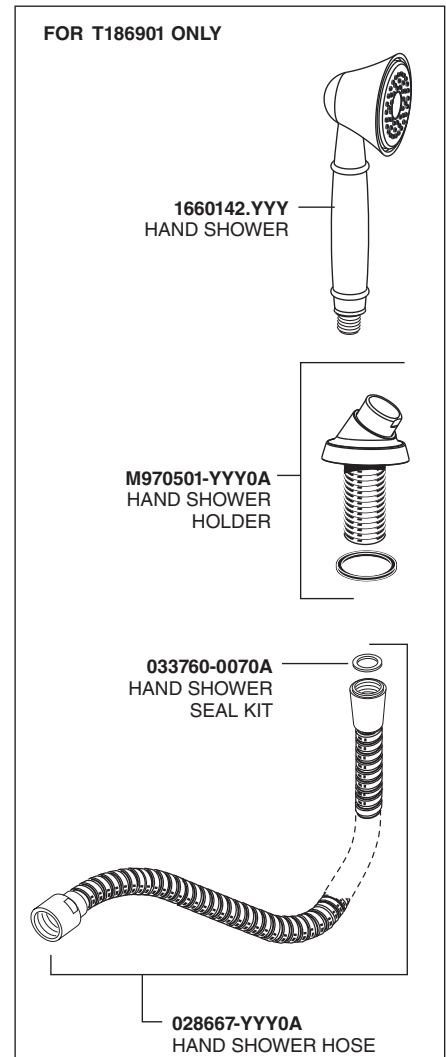
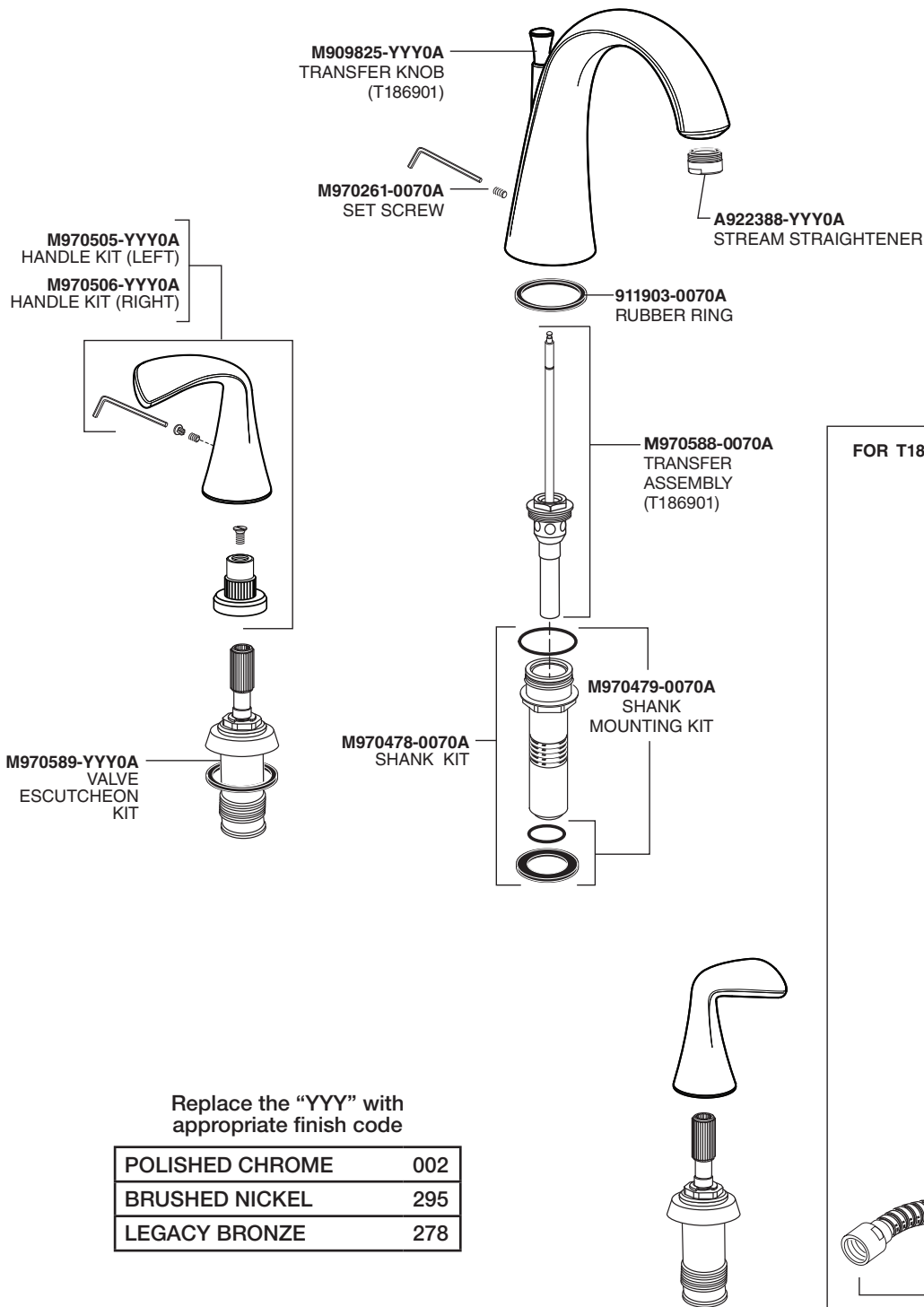


# American Standard

## Fluent® Roman Tub Filler

MODEL NUMBER

**T186900**  
**T186901**



### HOT LINE FOR HELP

For toll-free information and answers to your questions, call:  
1 (800) 442-1902  
Mon. - Fri. 8:00 a.m. to 8:00 p.m. EST  
Saturday 10:00 a.m. to 4:00 p.m. EST  
IN CANADA 1-800-387-0369  
(TORONTO 1-905-306-1093)  
Weekdays 8:00 a.m. to 7:00 p.m. EST  
IN MEXICO 01-800-839-1200



PART OF LIXIL